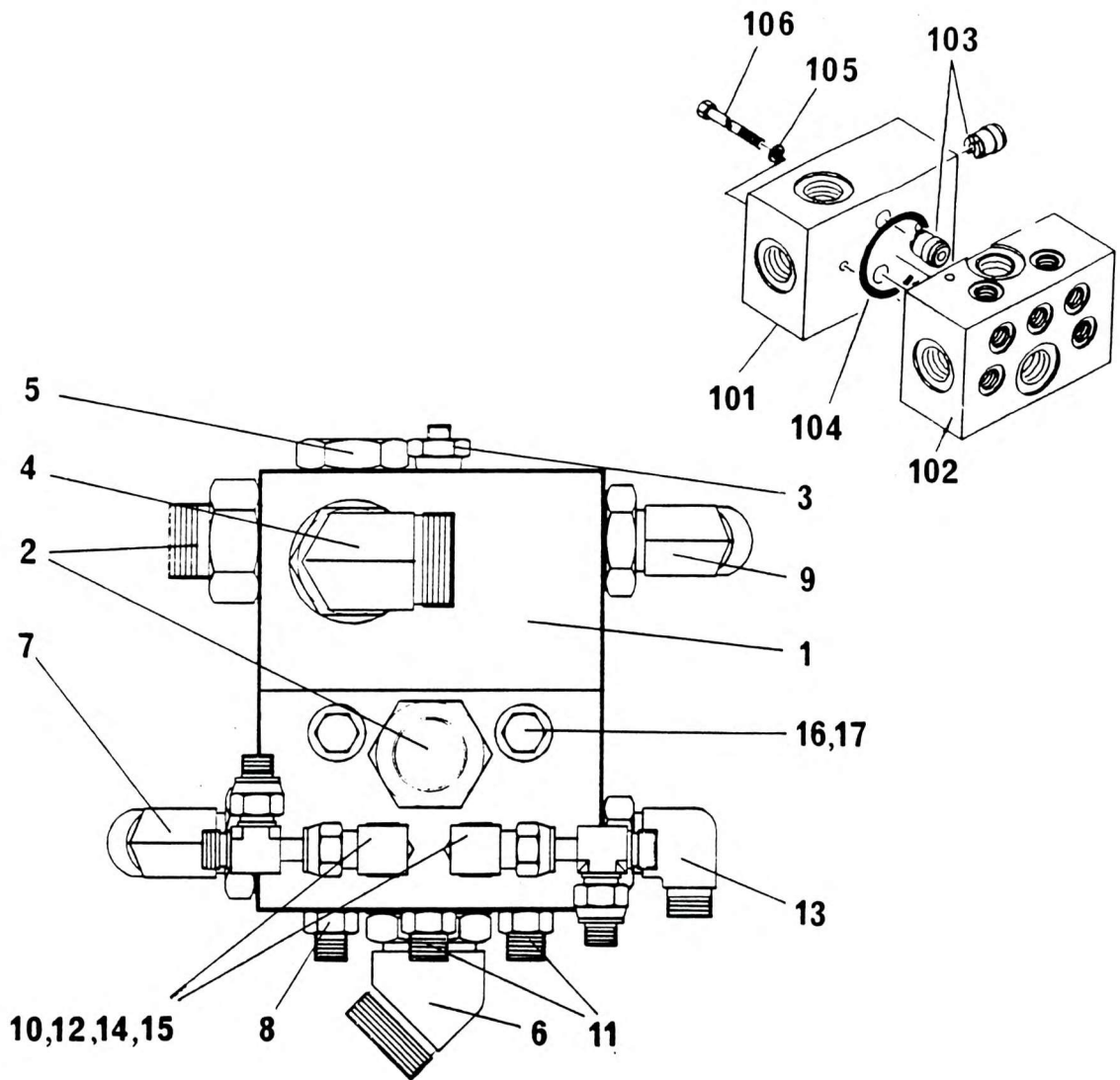


RETURN MANIFOLD ASSEMBLY



NO.	PART NO.	QTY.	DESCRIPTION	NO.	PART NO.	QTY.	DESCRIPTION
1	6-620-000072	1	Manifold Oil Cooler Incl. Items 101-106	17	7067212	2	Washer Spring M10
2	7-447-162001	2	Adaptor	101	6-620-000073	1	Manifold Top
3	7-872-000552	1	Temperature Switch	102	6-620-000074	1	Manifold Bottom
4	7-447-202003	1	90° Elbow	103	7-926-001721	3	Cartridge Check Valve
5	7-709-000026	1	Plug	104	7-755-232000	1	'O' Ring
6	7-447-202008	1	45° Elbow	105	7-950-200080	2	Hi Collar Washer
7	7-447-121208	1	45° Elbow	106	7-110-203205	2	Socket Head Cap Screw
8	7-447-040801	1	Straight Adaptor				
9	7-447-121608	1	45° Elbow				
10	7-447-060803	2	90° Elbow				
11	7-447-080801	1	Straight Adaptor				
12	7-447-060634	2	Female Run Tee				
13	7-447-081203	1	90° Elbow				
14	7-447-060625	2	Nut				
15	7-447-060801	2	Reducer				
16	7091301	2	Bolt M10 x 110 Long				